



SPECIFICATION GUIDE

Contents:

Page 1:	Introduction
Page 2:	Type of Installation
Page 6:	Type of Display
Page 7:	Height of System
Page 8:	Colour of System
Page 9:	Multiple Posts or Units



SPECIFICATION GUIDE

'Liquid Systems' is an all aluminum liquor and wine display and storage system for Residential and Commercial applications. Manufactured locally in Canada, the patented components are assembled in any custom configuration to fit all applications. Available as countertop version (Mini Series), wall mounted (Classic and Mono Series) or floor-to-ceiling mounted (Exclusive Series) in 13 anodized colors, possibilities are endless. Fin supports feature an integral silicon to provide grip and cushioned nesting. LED light shelves offer the option to further enhance your collection as a design element. 100% North American designed and made to order, 'Liquid Systems' is a prestigious addition to any collection.



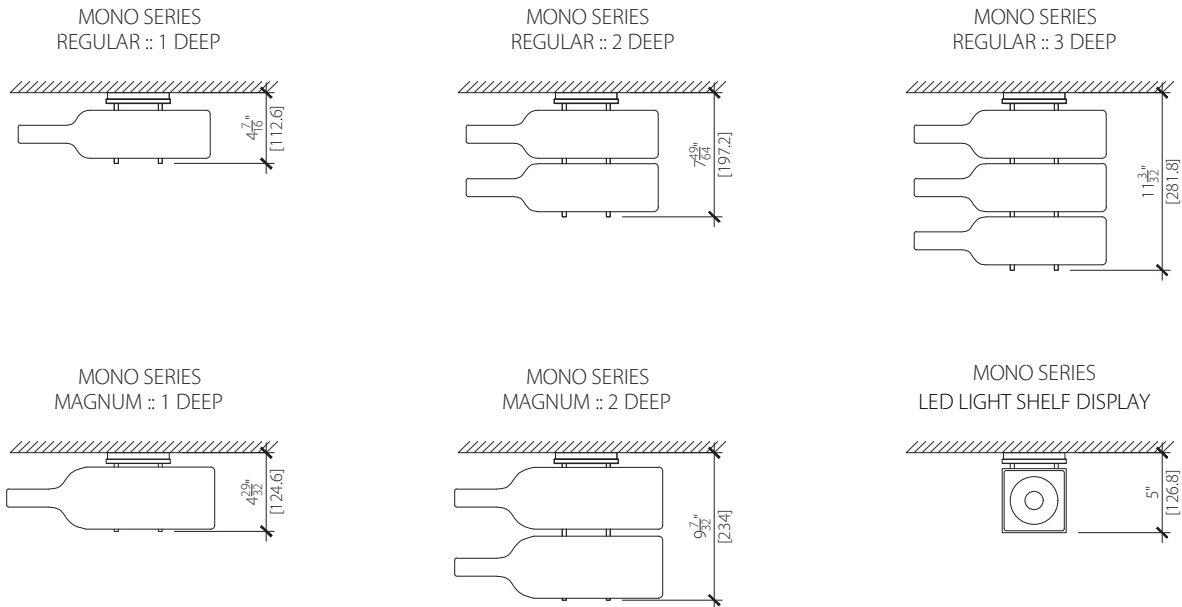
SPECIFICATION ESSENTIALS

Type of installation;	countertop wall mount	Mini Series (single sided only) Mono Series (single sided only) Classic Series (single sided only) Exclusive Series (single or double sided)
	floor-to-ceiling mount	
Type of display;	bottle depth	1, 2 or 3 deep regular 1 or 2 deep magnum
	bottle accent	LED light shelf
Height of system;	Mini	min 12" to max 36"
	Classic and Exclusive	min 12" to max 120"
Colour of system;	13 anodized colours	uniform colour for complete system multiple colour combinations
Multiple posts/units;	Classic and Exclusive	minimum spacing between posts required
	Mono	minimum spacing between units required

TYPE OF INSTALLATION

In most cases choosing a type of installation is relatively straight forward, based on your space allowances. Refer to **Diagram #1** (Mono Series), **Diagram #2** (Classic Series) and **Diagram #3 and #4** (Exclusive series) for plan views and images of possible orientations to suit your space and desired display.

Diagram #1



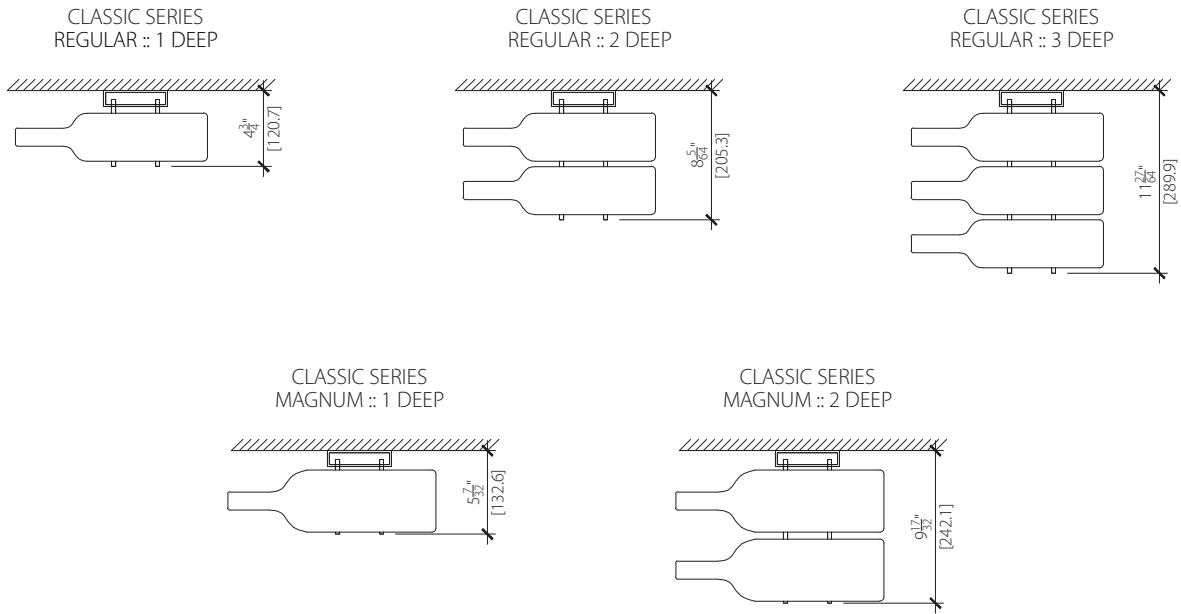
MONO SERIES :: REGULAR 2 DEEP



MONO SERIES :: LIGHT SHELF DISPLAY

TYPE OF INSTALLATION

Diagram #2



CLASSIC SERIES :: REGULAR 3 DEEP

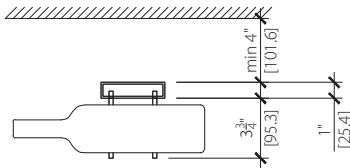


CLASSIC SERIES :: REGULAR 1 DEEP

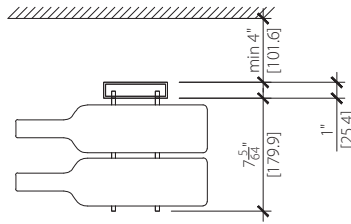
TYPE OF INSTALLATION

Diagram #3

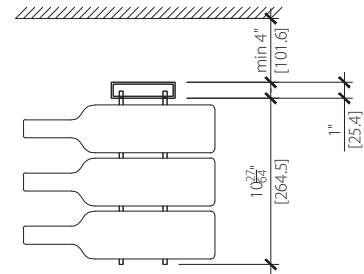
EXCLUSIVE SERIES
REGULAR :: 1 DEEP (1 SIDE)



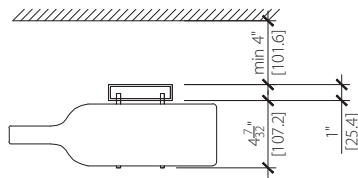
EXCLUSIVE SERIES
REGULAR :: 2 DEEP (1 SIDE)



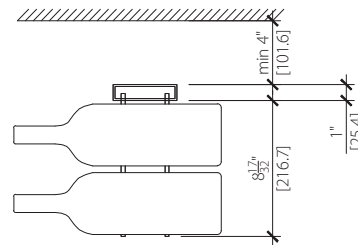
EXCLUSIVE SERIES
REGULAR :: 3 DEEP (1 SIDE)



EXCLUSIVE SERIES
MAGNUM :: 1 DEEP (1 SIDE)



EXCLUSIVE SERIES
MAGNUM :: 2 DEEP (1 SIDE)

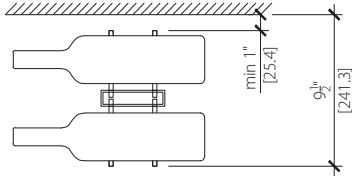


EXCLUSIVE SERIES :: REGULAR 3 DEEP (1 SIDE)

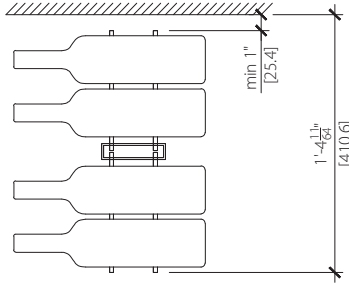
TYPE OF INSTALLATION

Diagram #4

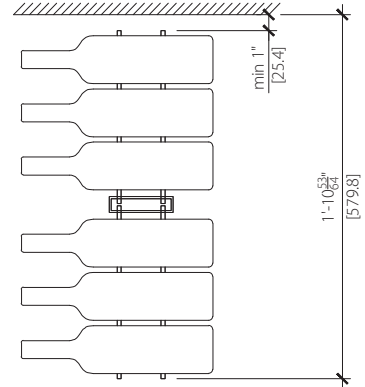
EXCLUSIVE SERIES
REGULAR :: 1 DEEP (2 SIDES)



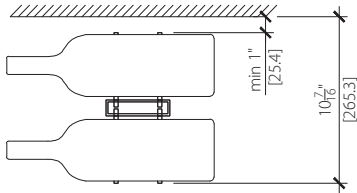
EXCLUSIVE SERIES
REGULAR :: 2 DEEP (2 SIDES)



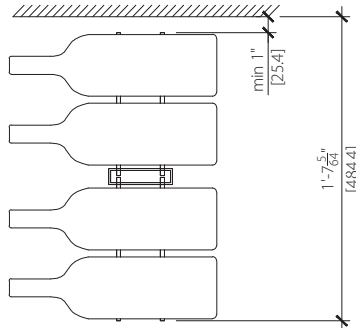
EXCLUSIVE SERIES
REGULAR :: 3 DEEP (2 SIDES)



EXCLUSIVE SERIES
MAGNUM :: 1 DEEP (2 SIDES)



EXCLUSIVE SERIES
MAGNUM :: 2 DEEP (2 SIDES)



EXCLUSIVE SERIES :: REGULAR VARIOUS DEPTHS (2 SIDES)

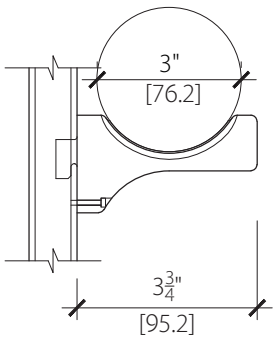


EXCLUSIVE SERIES :: REGULAR 3 DEEP (2 SIDES)

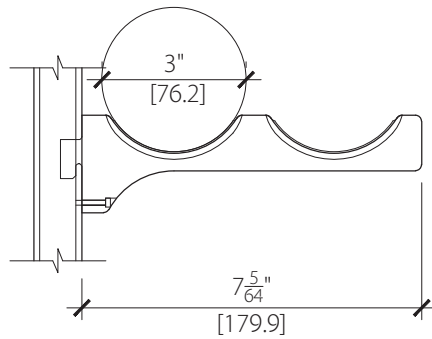
TYPE OF DISPLAY

Modular components consist of regular bottle holders (1, 2 and 3 deep), Magnum sized bottle holders (1 and 2 deep) as well as LED light display shelves. A combination of any of these standard components can make up single or multiple systems. Refer to **Diagram #5** for component profiles.

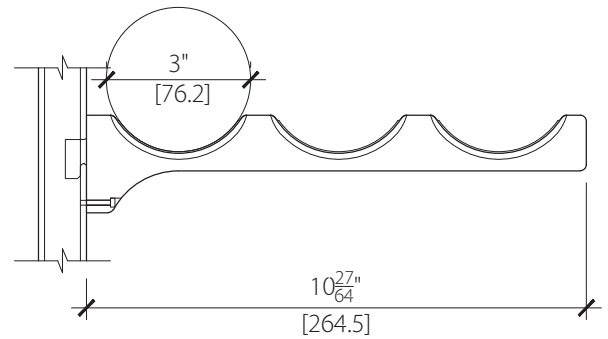
Diagram #5



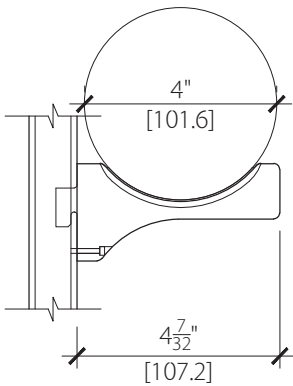
REGULAR BOTTLE :: 1 DEEP
SKU :: "P1"



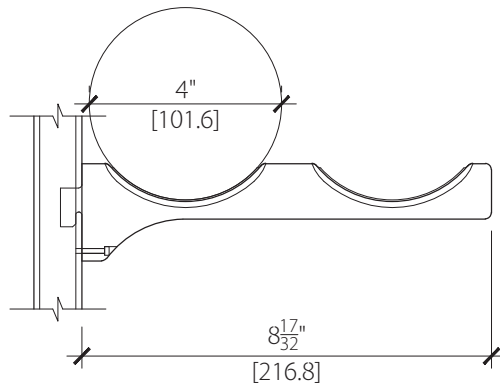
REGULAR BOTTLE :: 2 DEEP
SKU :: "P2"



REGULAR BOTTLE :: 3 DEEP
SKU :: "P3"



MAGNUM BOTTLE :: 1 DEEP
SKU :: "MP1"



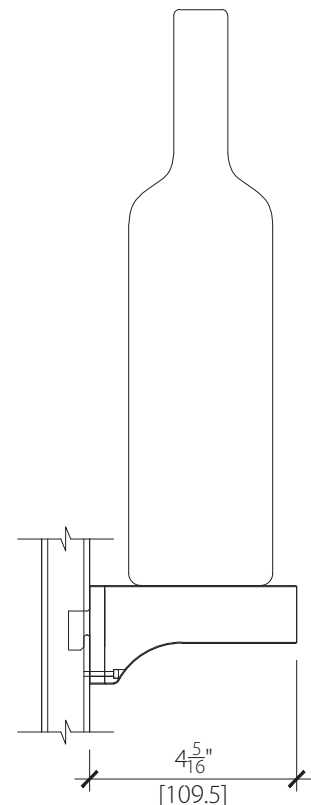
MAGNUM BOTTLE :: 2 DEEP
SKU :: "MP2"



P3 DISPLAY



LIGHT SHELF DISPLAY



LED LIGHT SHELF :: SINGLE BOTTLE
SKU :: "LS"

HEIGHT OF SYSTEM

Classic and Exclusive Series are available up to 120" in height. Minimum setbacks from floor and ceiling, as well as required spacing between rows determines how many rows will fit into specific systems. Refer to **Diagram #6** for number of rows available per 6" denominations noted. The formula below each table allows quantities to be confirmed from exact heights.

Diagram #6

Regular :: Parallel

Height	Rows
120"	23
114"	22
108"	21
102"	19
96"	18
90"	17
84"	16
78"	14
72"	13
66"	12
60"	11
54"	9
48"	8
42"	7
36"	6
30"	4
24"	3
18"	2
12"	1

imperial formula (inch)

$$\frac{(\text{Height} - 9.449)}{4.75} = \text{Rows}$$

metric formula (mm)

$$\frac{(\text{Height} - 240)}{120.65} = \text{Rows}$$

Example using imperial formula for regular storage, ceiling height of 9'-8" (116")

$$\frac{(116 - 9.449)}{4.75} = 22.4^*$$

**note: round down to full number, therefore 22 rows are allowable in 9'-8".*

Magnum :: Parallel

Height	Rows
120"	19
114"	18
108"	17
102"	16
96"	15
90"	14
84"	13
78"	12
72"	11
66"	10
60"	9
54"	8
48"	7
42"	5
36"	4
30"	3
24"	2
18"	1
12"	0

imperial formula (inch)

$$\frac{(\text{Height} - 10.449)}{5.75} = \text{Rows}$$

metric formula (mm)

$$\frac{(\text{Height} - 265.4)}{146.05} = \text{Rows}$$

COLOUR OF SYSTEM

Available in 13 anodized colours, the brushed aluminium posts and components can be finished as one colour or a mix of any combination. Refer to **Diagram #7** for available colours. Three pricepoints differentiate the selection; clear (\$), black and colour (\$\$), and bronze (\$\$\$). Multiple finishes per system may incur additional finishing fees.

Diagram #7

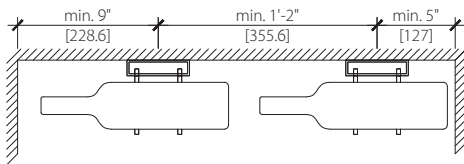


MULTIPLE POSTS OR UNITS

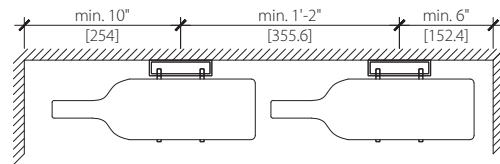
Multiple post installations require minimum spacing between walls and each post. Distances required from back wall for Exclusive series are outlined in **Diagram #3 and #4**. Further spacing requirements are noted below in **Diagram #8**. Final locations should be taken from Daintree Industries Shop Drawings or approved Interior Design drawings. All installation to follow install guides available at www.daintreeindustries.com/liquid-systems/

Diagram #8

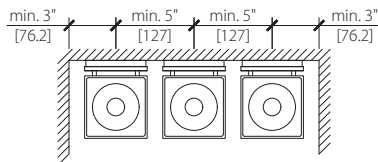
MONO, CLASSIC & EXCLUSIVE SERIES
MULTIPLE POST/UNIT SPACING REQUIREMENTS
REGULAR BOTTLE



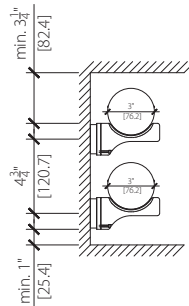
MONO, CLASSIC & EXCLUSIVE SERIES
MULTIPLE POST/UNIT SPACING REQUIREMENTS
MAGNUM BOTTLE



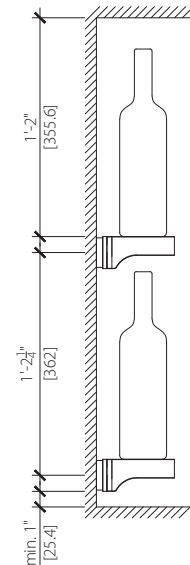
MONO SERIES
MULTIPLE UNIT SPACING REQUIREMENTS
LED LIGHT SHELF DISPLAY



MONO SERIES
MULTIPLE UNIT SPACING REQUIREMENTS
REGULAR BOTTLE



MONO SERIES
MULTIPLE UNIT SPACING REQUIREMENTS
LED LIGHT SHELF DISPLAY



MONO SERIES
MULTIPLE UNIT SPACING REQUIREMENTS
MAGNUM BOTTLE

