

MONO SERIES INSTALLATION GUIDE

Supplied Hardware

- 2 x Stainless Steel M2.5 bolt (1 per fin)
- 2 x #6 Specialty screw (1 per hole in back of mono pad)

NOTE: Wall anchors may be required if fastening to masonry.

Tools Required

- Level or Laser
- Drill + drill bit
- #1 Robinson bit
- 2mm Allen Key

1. Remove components from packaging. Be sure to recycle!
2. Determine location on wall via signed and confirmed Liquid Systems Shop Drawings.
Note: Ensure adequate bottle space either side to existing and future objects. See Specification Guide, page 2 & 9 for spacing requirements.
Note: If light shelves are integral to purchased display, refer to Light Shelf Installation guide for wiring locations and instructions.
3. Mark top or bottom edge of Mono Pad.
Note: If multiple mono pads are being installed, mark each location and ensure level (if layout requires)
4. Align Mono Pad(s) to location(s) marked.
5. Mark holes with pencil as per hole in back of Mono Pad(s). **(Diagram 1)**
6. Set Mono Pad(s) aside and pre-drill into wall surface and blocking behind with a 1/16" (1.5mm) drill bit, ensuring alignment with markings from previous step. **(Diagram 2)**
Note: if mounting surface is masonry, drill required diameter hole for wall plug (not supplied) with suitable drill bit.
7. Carefully install Mono Pad with #6 Specialty screws (supplied) taking extra care not to damage side walls of fin cut-outs. **(Diagram 3)**
Note: If light shelves are part of the installation, pull wire through centre hole before installing Mono Pad. (Refer to Light Shelf Installation Guide)
8. Repeat steps #4 to #7 for multiple Mono Series installations, ensuring adequate space between Mono Pads. (Refer to Specification Guide for spacing requirements)
9. Install fins (or Light Shelves, see Light Shelf installation guide) individually so the pre-drilled hole in fin aligns with the threaded hole in Mono Pad. **(Diagram 4)**
10. Once key of fin is installed and fin is nested on Mono Pad, secure fin by installing M2.5 bolt (supplied) and finger tighten with 2mm allen key.
Note: Use allen key only in orientation shown as to not create excessive torque. Finger-tight is all that is required to make a snug fit. Use extreme caution not to over-tighten and strip thread in Mono Pad.
11. Repeat steps #9 and #10 until all fins/ light shelves are installed.
12. Sit back and enjoy!

Diagram #1 :: Mark Locations

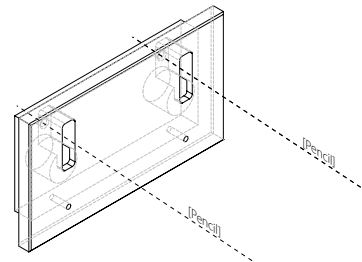


Diagram #2 :: Pre-drill holes

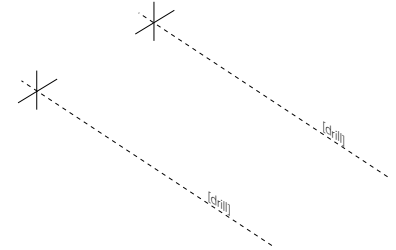


Diagram #3 :: Install Mono Pad

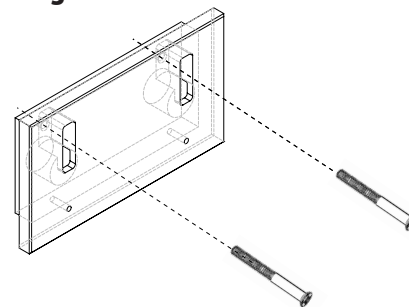
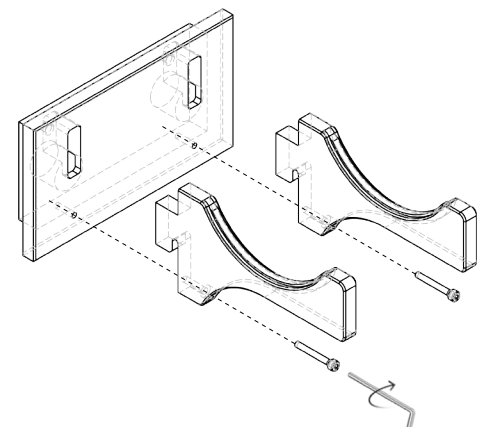


Diagram #4 :: Install Components



LIGHT SHELF INSTALLATION

Supplied Components

Driver (10W, 20W or 40W)*
Light Shelf
Spider Cable (as required)

*Project specific and confirmed at time of pricing

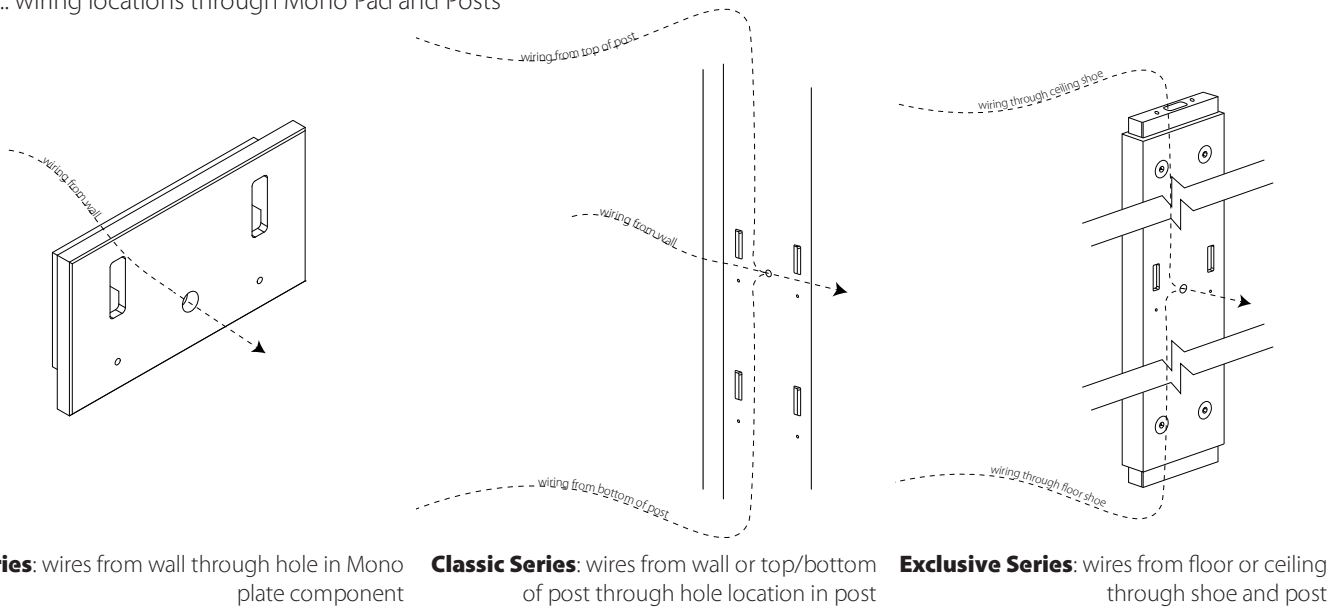
Notes

A qualified electrician is required for the installation and wiring of light shelves to meet all local electrical codes.

Locations for required power and switch functions to be pre-determined and pre-wired prior to Liquid Systems installation. See signed and confirmed Liquid Systems shop drawings.

- 1 - Connect power to Driver and dimmer/switch as per installation manual provided by Driver manufacturer.
- 2 - Installation of wires from pre-determined spots as follow : **(Diagram 1)**
 Exclusive Series - through shoes from floor or ceiling
 Classic Series - through top/bottom of post or cut out in post
 Mono - through hole in Mono plate component

Diagram #1 :: wiring locations through Mono Pad and Posts



- 3 - Make required electrical connections once post or mono pad is fixed in position and wiring has been pulled through wiring access hole.
- 4 - Install Light Shelf on post and fasten with M2.5 bolts as supplied.