

## EXCLUSIVE SERIES INSTALLATION GUIDE

### Supplied Hardware

Bolts (4 per post)  
Washers (4 per post)  
Nuts (4 per post)  
#8 Screw (4 per post)  
Self-taping screw (4 per post)  
Stainless Steel M2.5 bolt (1 per fin)

### Tools Required

Laser or Plumb-bob  
Drill + drill bit  
#2 Robinson and Phillips bits  
2mm and 3/16" Allen Keys  
1/2" Socket set or wrench

### Additional Suggested Tools

Makita 1/4" Hex Driver Drill (DF012D)  
DeWalt 12" Extension (DW1589)  
AM-2mm Apex 1/4" Socket Head

1. Remove posts from packaging. Be sure to recycle!
2. Remove shoe brackets, cover plates and hardware from packaging and recycle extra cardboard packaging.
3. Determine location on wall via signed and confirmed Liquid Systems Shop Drawings.

**Note:** Ensure adequate bottle space on either side to existing and future objects. Take special note of depth from objects behind and in front to ensure adequate space for fin and bottle depth and ample accessibility to bottles is achievable. See Specification Guide, page 4,5 & 9, for spacing requirements.

**Note:** If light shelves are integral to purchased display, refer to Light Shelf Installation guide for wiring locations.

4. Mark screw hole locations on floor by placing shoe in final location.
5. Remove shoe and with a laser (or plumb-bob) locate directly above and mark centre point on ceiling. This will be the location for screwing the top shoe support.
6. Pre-drill holes with appropriate drill and drill-bit depending on your floor and ceiling finish as well as backing material behind.

**Note:** It is the contractors/ installers responsibility to ensure no services will be hit when drilling and screwing into floor and ceiling.

7. Place bottom shoe over pre-drilled holes and fasten. **(Diagram 1)**
- Note:** Ensure two elongated holes on shoe face the required direction per your final layout. This marks the face that the exposed bolt heads will be seen (opposite side to coverplate). Anchors may be required depending on floor/ ceiling and backing material.

8. Repeat step #7 for shoe mounted to ceiling.

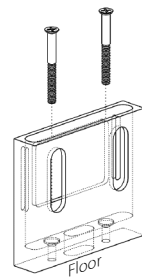
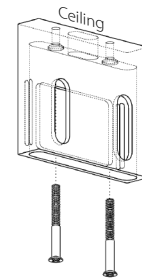
**Note:** For multiple posts, ensure alignment via level or laser line.

**Note:** If light shelves are part of the installation, refer to Light Shelf Installation guide for wiring requirements prior to securing post to shoes. At this stage, wires should be pulled through shoe location already (floor or ceiling).

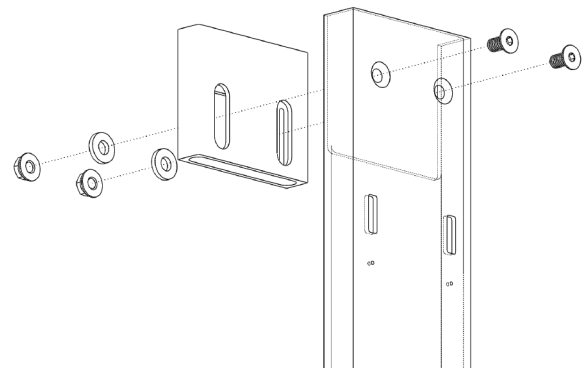
9. Taking note of the top and bottom of post, carefully slide post on fastened floor and ceiling shoe supports.

**Note:** Vertical orientation determined by fin key holes.

### Diagram #1 :: mark, pre-drill and fasten shoe supports



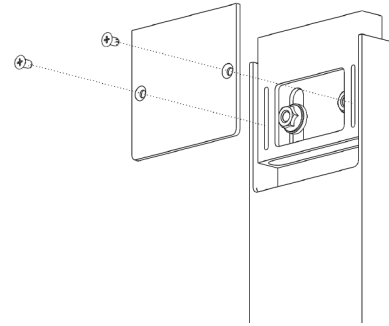
### Diagram #2 :: Fasten post to shoes



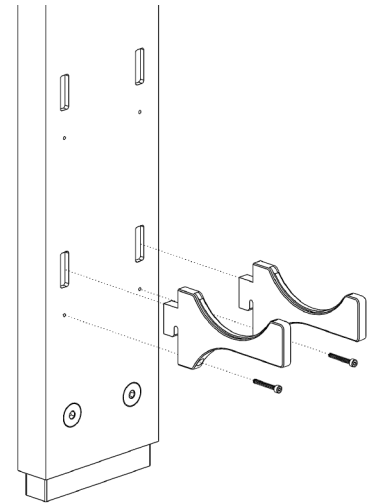
## EXCLUSIVE SERIES INSTALLATION GUIDE

- 10.** Install bolts, washers and nuts loosely through the front holes in post. **(Diagram 2)**
- 11.** Measure the distance from the top of post to the underside of ceiling. Lift post to half this distance to create equal spacing top and bottom and tighten lower shoe bolts, followed by top shoe bolts.  
**Note:** If multiple post installation is required, install all posts (ensuring minimum space requirements are followed as per specification guide). Align fin supports via laser level. Depending on unevenness of ceiling and/or floor, this will affect dimension of exposed shoe supports as noted in step #11.
- 12.** Install cover plates for top and bottom shoe supports using supplied (4) self-tapping screws. **(Diagram 3)**
- 13.** Repeat steps #2 to #12 for multiple post installations.
- 14.** Open packaging with fin supports and remove hardware from packaging. Confirm supplied type, colour and quantity matches your order.  
**Note:** Supplied hardware = 1 x M2.5 Stainless Steel bolt per fin.
- 15.** Install fins (or Light Shelves, see Light Shelf installation guide) individually so the pre-drilled hole in fin aligns with the threaded hole in post. **(Diagram 4)**  
**Note:** Start installation from the lowest fin location and work up. This allows any gentle tapping from above if required on snug fitting fins. Once key of fin is installed and fin is nested on post, secure fin by installing M2.5 bolt (supplied) and finger tighten with 2mm allen key.  
**Note:** Use allen key only in orientation shown as to not create excessive torque. Finger-tight is all that is required to make a snug fit. Use extreme caution not to over-tighten and strip thread in post.
- 16.** Repeat steps #14 to #16 until all fins/ light shelves are installed. **(Diagram 5)**
- 17.** Sit back and enjoy!

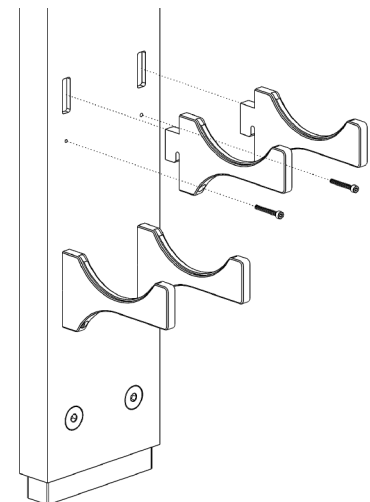
**Diagram #3 ::** Install Coverplate



**Diagram #4 ::** Install fins and components



**Diagram #5 ::** Keep on going!



## LIGHT SHELF INSTALLATION

### Supplied Components

Driver (10W, 20W or 40W)\*  
Light Shelf  
Spider Cable (as required)

\*Project specific and confirmed at time of pricing

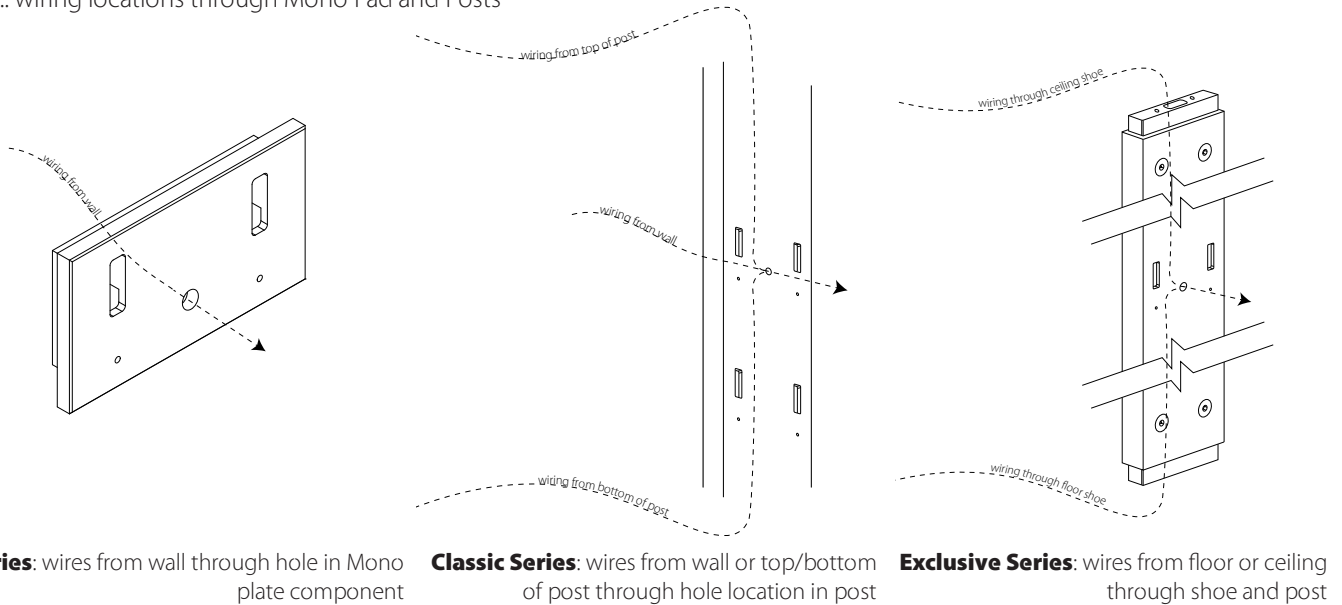
### Notes

A qualified electrician is required for the installation and wiring of light shelves to meet all local electrical codes.

Locations for required power and switch functions to be pre-determined and pre-wired prior to Liquid Systems installation. See signed and confirmed Liquid Systems shop drawings.

- 1 - Connect power to Driver and dimmer/switch as per installation manual provided by Driver manufacturer.
- 2 - Installation of wires from pre-determined spots as follow : **(Diagram 1)**  
Exclusive Series - through shoes from floor or ceiling  
Classic Series - through top/bottom of post or cut out in post  
Mono - through hole in Mono plate component

**Diagram #1** :: wiring locations through Mono Pad and Posts



- 3 - Make required electrical connections once post or mono pad is fixed in position and wiring has been pulled through wiring access hole.
- 4 - Install Light Shelf on post and fasten with M2.5 bolts as supplied.